

## FEATURES

- 5A ,10A switching capability
- Extremely small footprint utilizing PCB area
- Provides 10-KV impulse withstand voltage (coil to contact)
- Highly efficient magnetic circuit for high sensitivity (200mW)
- UL & CUL approval, File No.: E179937

## CONTACT DATA

Contact form	1A
Initial contact resistance	Max. 100mΩ (at 1A 24VDC)
Contact rating ME-31	5A 30VDC
Resistive load ME-31A	5A 250VAC 7A 30VDC 7A 250VAC
Max. switching power	1385VA / 150W 2770VA / 300W
Max. switching current	5A,10A
Max. switching voltage	277VAC, 30VDC
Contact material	Silver Alloy

## CHARACTERISTICS

Insulation resistance	1000MΩ min. (at 500VDC)
Dielectric strength	
Between coil to contacts	4000VAC, 50/60 Hz for 1 min.
Between open contacts	1000VAC, 50/60 Hz for 1 min
Surge voltage between contacts and coil	10KV (1.2 X 50μs)
Operate time	10 ms max (at nomi. Vot.)
Release time	10 ms max (at nomi. Vot.)
Shock resistance	Functional: 98m/s <sup>2</sup> (approx. 10G) Destructive: 980m/s <sup>2</sup> (approx. 100G)
Temperature rise (at nominal voltage)	Max 45°C with nominal coil voltage and 3A contact carrying current
Ambient temperature	- 40°C to 85°C
Humidity	Operating: 35% to 85%
Vibration resistance	10 - 55Hz, 1.5mm
Life expectancy	
- Electrical	Min. 2 x 10 <sup>5</sup> ops(at 3A/250VAC) Min. 1 x 10 <sup>5</sup> ops (at 5A 250VAC) Min. 1 x 10 <sup>5</sup> ops(at 7A/250VAC) Min. 1 x 10 <sup>4</sup> ops (at 10A 250VAC)
- Mechanical	Min. 5 x 10 <sup>6</sup> operations
Weight	3g

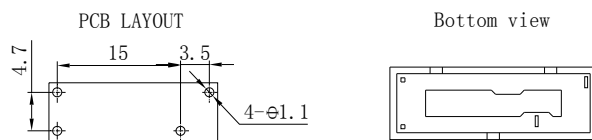
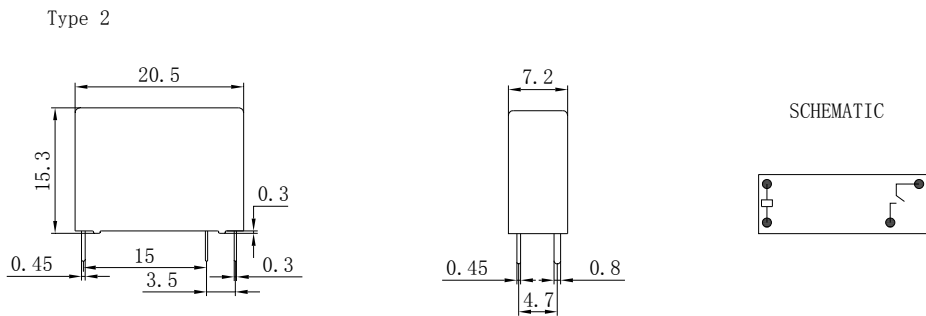
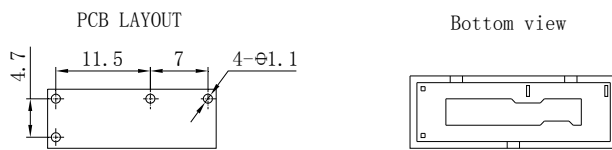
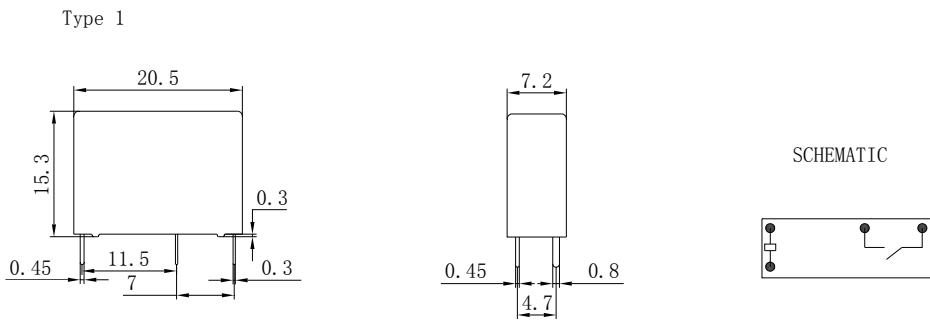
## COIL SPECIFICATIONS

Nominal voltage (VDC)	Pick-up voltage VDC (Max.)	Drop-out voltage VDC (Min.)	Max. allowable Voltage(at 20°C)	Coil resistance (Ω)	Power consumption (mW)
3	2.25	0.18	3.9	45	200
5	3.75	0.25	5.5	125	200
6	4.5	0.3	6.6	180	200
9	6.75	0.45	9.9	405	200
12	9	0.6	13.2	720	200
18	13.5	0.9	19.8	1620	200
24	18	1.2	26.4	2880	200

## ORDERING INFORMATION

<u>ME-31</u>	-	<u>012</u>	-	<u>H</u>	<u>S</u>	<u>1</u>	<u>T</u>	<u>G</u>	
Model No.	Coil Voltage (VDC)	Contact Form	Classification of type	Termination	Contact Material	Contact Plating			
ME-31	3, 5, 6, 9, 12, 18,	H: 1A	Nil: Unsealed	1: type 1	T: AgSnO <sub>2</sub>	G: Gold Plate			
ME-31A	24VDC		S: Sealed	2: type 2	Nil: AgNi	Nil: No Gold Plated			

## DIMENSIONS (unit: mm)



Disclaimer: All the specifications are subject to change without notice.